

E3 PARTS SELECTION

When ordering, add color designation (letters) to end of product number: *PVD brass (TG) finish is custom order, call for manufacturing time.

OL: pvd bronze | **S:** stainless steel | **TG:** pvd brass

KTE3CPS

Pivot sets
2 pieces



ECE3CBPIVOTH bottom pivot housing only (replacement part)

KTE3WPS

Wall pivot set, jamb mounted middle pivot for doors over 88" (2235mm)
1 piece



mounted between top & bottom pivot

KTE3CLCS

Left carrier sets
2 pieces



concealed bottom guide

KTE3CRCS

Right carrier sets
2 pieces



concealed bottom guide

KTE3CICS

Intermediate carrier sets,
3 pieces



concealed bottom guide

KTE3EH

Interior D pull handle for inswing doors
1 piece



ECE3HS

Hinge sets (FLAT) with middle handle for outswing doors - 3 pieces



KTE3HNHS

Hinge sets (FLAT) without middle handle for inswing doors - 3 pieces



KTE3HHS

Half OFFSET hinge sets with middle handle for outswing doors - 3 pieces



KTE3HHNS

Half offset hinge sets without middle handle for inswing doors - 3 pieces



Intermediate carrier sets with additional hinge



KTE3HNH Single hinge, order separately



concealed bottom guide

Hinge sets with handle for outswing doors



KTE3HNH Single hinge, order separately

Hinge sets no handle for inswing doors



KTE3HNH Single hinge, order separately

Half offset hinge sets with handle for outswing doors



KTE3HHNH Single hinge, order separately

Half offset hinge sets no handle for inswing doors



KTE3HHNH Single hinge, order separately

FLUSHBOLTS FOR OUTSWING FOLDING DOORS: DBOT SERIES

Max wind load: 450kg (990lb) force

Min door thickness: 1-3/4" (44.5mm)

Throw length: 1" (25mm)

Finishes:

Bronze powder coat on aluminum to match pvd bronze finish on E3 hinges.

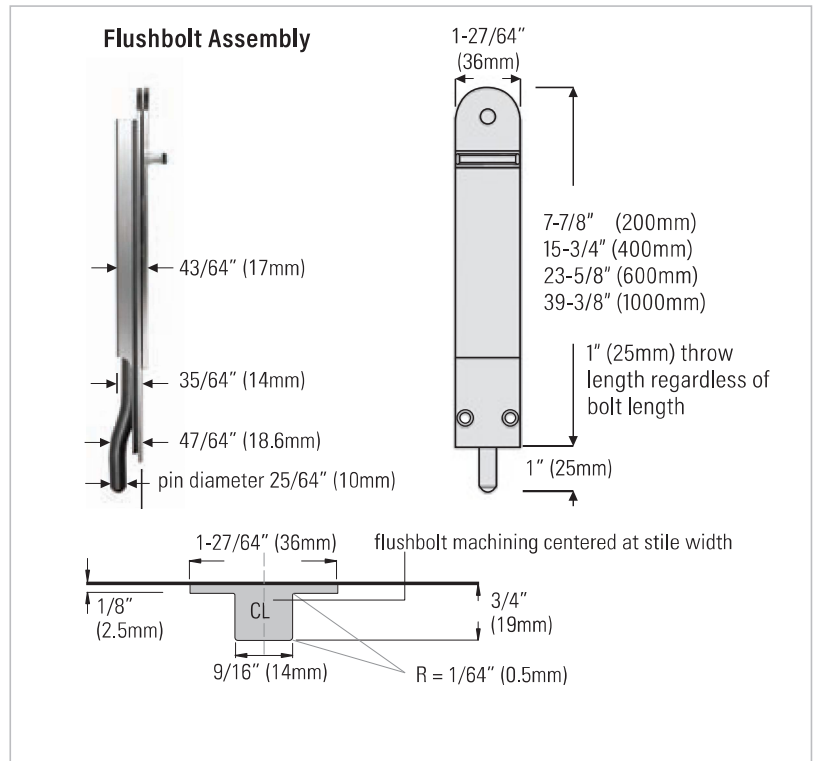
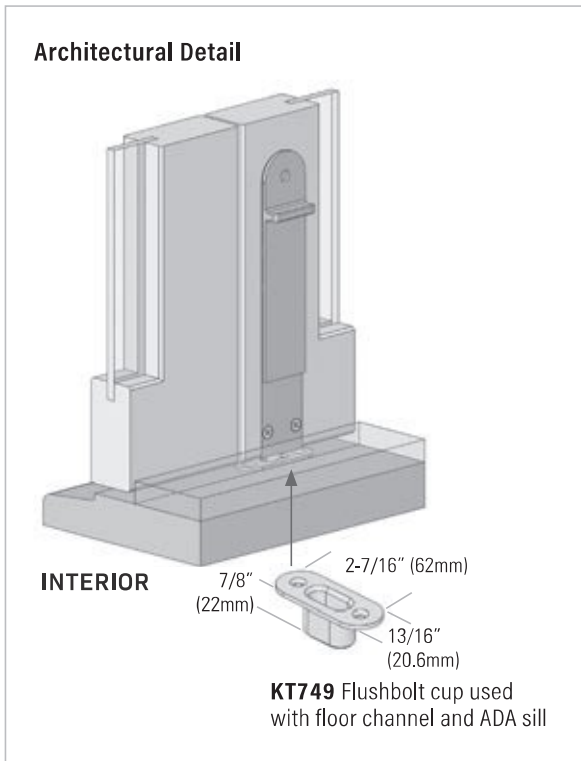
Brushed metallic on aluminum to match stainless steel finish on E3 hinges.

*Bright gold (TG) finish on aluminum to match pvd brass finish on E3 hinges.

*Bright gold (TG) finish is custom order, call for manufacturing time.



The flush-mounted flushbolts, rounded style and 1" (25mm) throw are designed for use with sliding and folding doors. This flushbolt will resist high winds and is rated to resist a 250kg load in Western Red Cedar and 450kg in Amoora. The bolts are easily installed with a dedicated router bit and are available in three finishes.



Actual machining for flushbolts (face plate)

1-27/64" x 7-7/8" (36mm x 200mm)	1-27/64" x 23-5/8" (36mm x 600mm)
1-27/64" x 15-3/4" (36mm x 400mm)	1-27/64" x 39-3/8" (36mm x 1000mm)

SELECT FINISH	PRODUCT NUMBER	DESCRIPTION
bronze powder coat finish on aluminum	KTDBOT200NRQ	8" (200mm) 1" throw, round end
	KTDBOT400NRQ	16" (400mm) 1" throw, round end
	KTDBOT600NRQ	24" (600mm) 1" throw, round end
	KTDBOT1000NRQ	39" (1000mm) 1" throw, round end
brushed metallic finish on aluminum to match stainless steel	KTDBOT200NRX	8" (200mm) 1" throw, round end
	KTDBOT400NRX	16" (400mm) 1" throw, round end
	KTDBOT600NRX	24" (600mm) 1" throw, round end
	KTDBOT1000NRX	39" (1000mm) 1" throw, round end
bright gold finish on aluminum	KTDBOT200NRTG	8" (200mm) 1" throw, round end
	KTDBOT400NRTG	16" (400mm) 1" throw, round end
	KTDBOT600NRTG	24" (600mm) 1" throw, round end

*Bright gold (TG) finish is custom order, call for manufacturing time.



Flushbolt cup used with floor channel and ADA sill

KT749BRONZE bronze powder coat
KT749DCH Satin chrome



KTE2DBFORB Router bit for flushbolts (dedicated router bits are available)



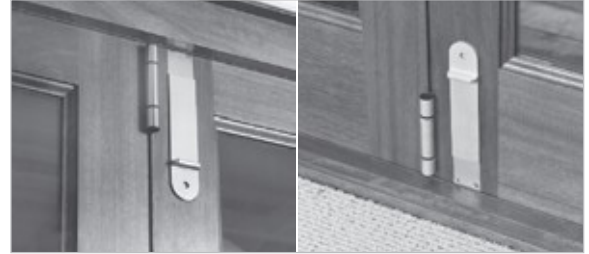
Strike plate for header
KTDBSPQ bronze powder coat
KTDBSPS Satin chrome

PLEASE NOTE: Flushbolt housing & slide bar are manufactured from aluminum components

FLUSHBOLTS FOR OUTSWING FOLDING DOORS: DBSY SERIES

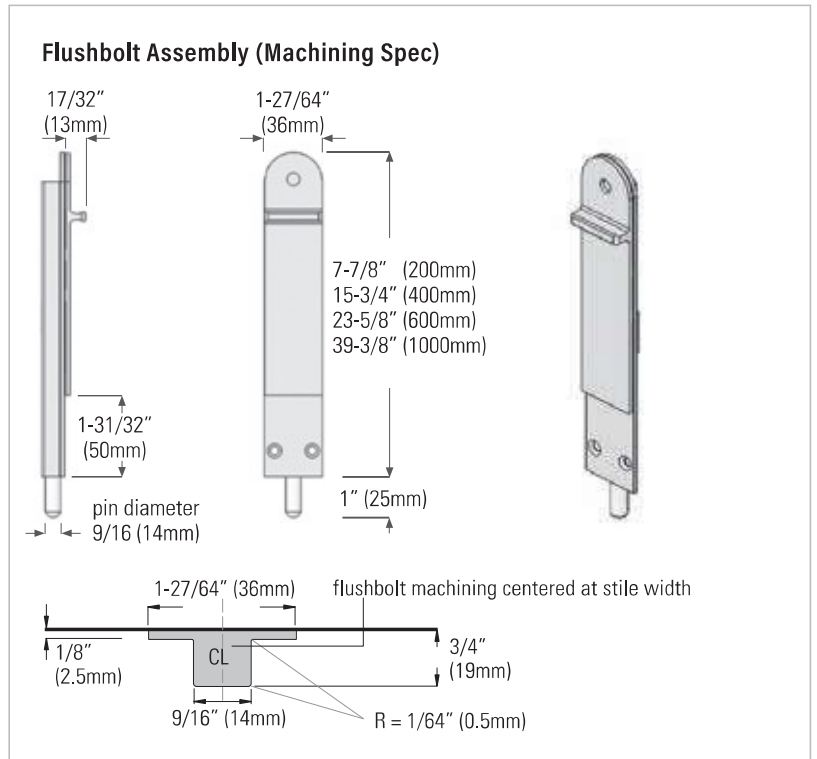
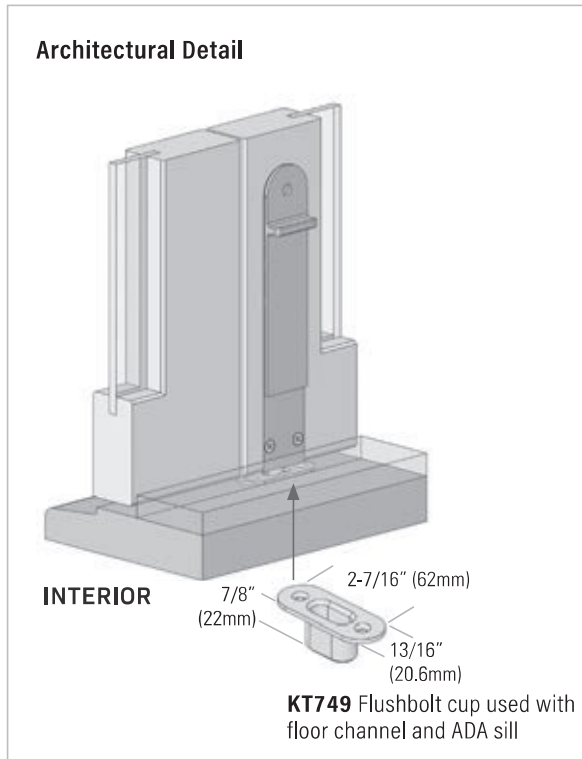
Max wind load: 450kg (990lb) force
Min door thickness: 1-3/4" (44.5mm)
Bolt lengths: 8", 16", 24", 39" (200mm, 400mm, 600mm, 1000mm)

Finishes:
 Bright gold to match pvd brass hardware
 bronze powder coat on aluminum to match the pvd bronze hardware &
 brushed metallic to match stainless steel hardware



Symphony™

The flush-mounted flushbolts, rounded style and 1" (25mm) throw are designed for use with sliding and folding doors. Symphony™ will resist high winds and is rated to resist a 250kg load in Western Red Cedar and 450kg in Amoora. The bolts are easily installed with a dedicated router bit and are available in three finishes.

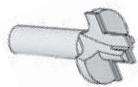


Actual machining for flushbolts (face plate)

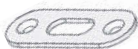
1-27/64" x 7-7/8" (36mm x 200mm)	1-27/64" x 23-5/8" (36mm x 600mm)
1-27/64" x 15-3/4" (36mm x 400mm)	1-27/64" x 39-3/8" (36mm x 1000mm)



Flushbolt cup used with floor channel and ADA sill
KT749BRONZE bronze powder coat
KT749DCH Satin chrome



KTE2DBFORB Router bit for flushbolts (dedicated router bits are available)



Strike plate for header
KTDBSPQ bronze powder coat
KTDBSPS Satin chrome

PLEASE NOTE: Flushbolt housing & slide bar are manufactured from aluminum components

SELECT FINISH	PRODUCT NUMBER	DESCRIPTION
powder coat finish bronze over aluminum	KTDBSY200NRQ	8" (200mm) 1" throw, round end
	KTDBSY400NRQ	16" (400mm) 1" throw, round end
	KTDBSY600NRQ	24" (600mm) 1" throw, round end
	KTDBSY1000NRQ	39" (1000mm) 1" throw, round end
brushed metallic finish over aluminum to match stainless steel	KTDBSY200NRX	8" (200mm) 1" throw, round end
	KTDBSY400NRX	16" (400mm) 1" throw, round end
	KTDBSY600NRX	24" (600mm) 1" throw, round end
	KTDBSY1000NRX	39" (1000mm) 1" throw, round end
bright gold finish over aluminum	* KTDBSY200NRTG	8" (200mm), 1" throw, round end
	* KTDBSY400NRTG	16" (400mm) 1" throw, round end
	* KTDBSY600NRTG	24" (600mm) 1" throw, round end

*Bright gold (TG) finish is custom order, call for manufacturing time.